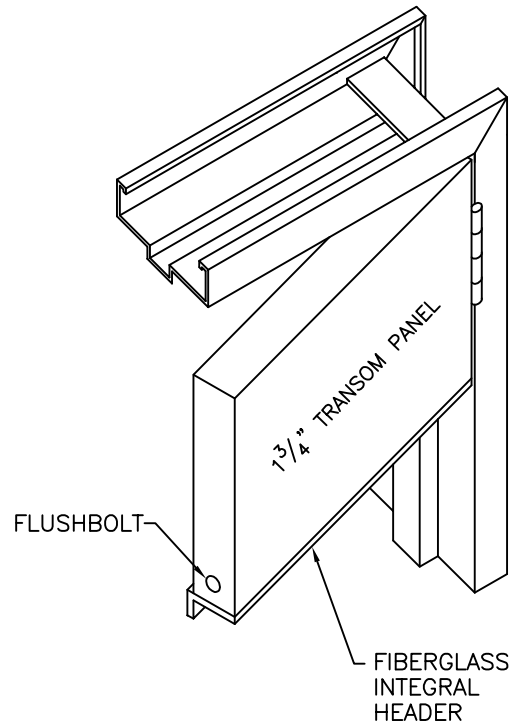
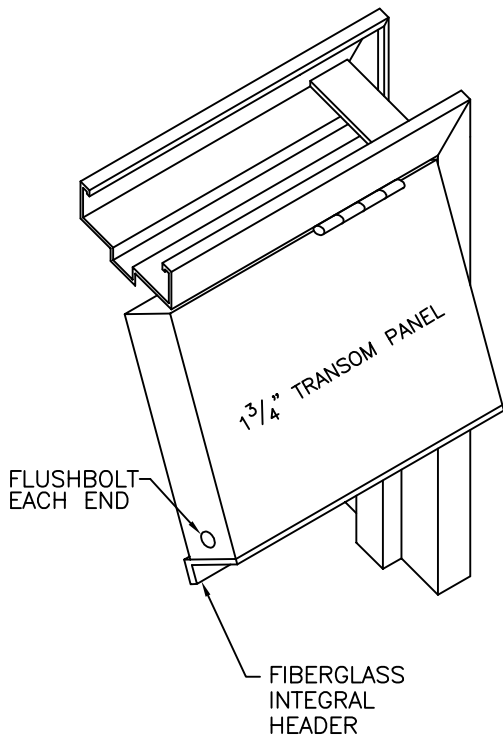


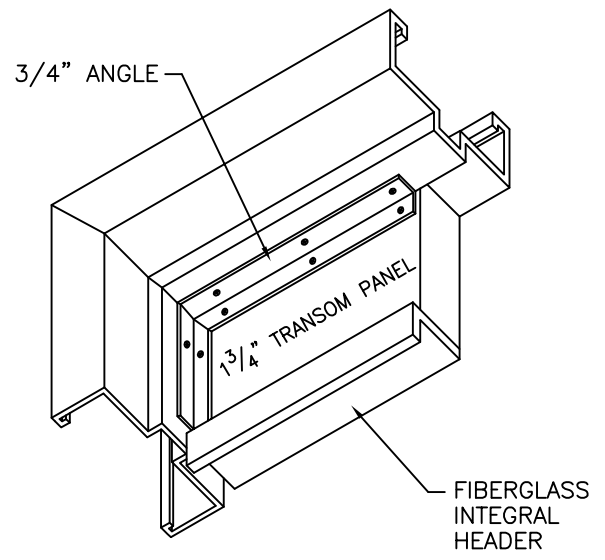
OPTION TA1  
INTERIOR VIEW LOOKING UP



OPTION TA2  
EXTERIOR VIEW LOOKING DOWN



OPTION TA3  
EXTERIOR VIEW LOOKING DOWN



OPTION TA4  
INTERIOR VIEW LOOKING UP



FIBERGLASS TRANSOM TYPES AND ATTACHMENT METHODS		
DATE	SCALE	
9/17/04	NONE	
DWG NAME	DRAWN BY	
TRANSOMATTACH1	BG	