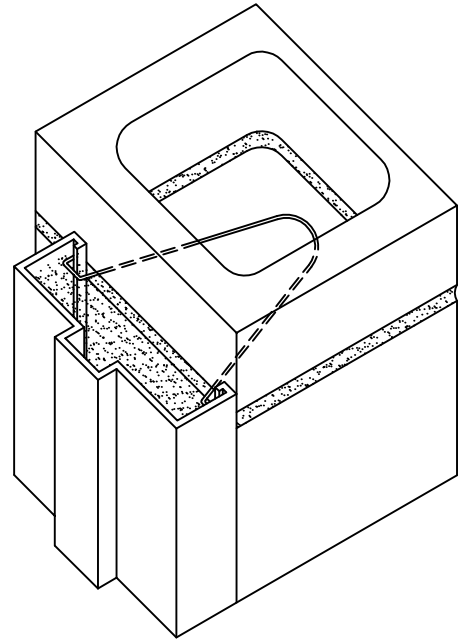
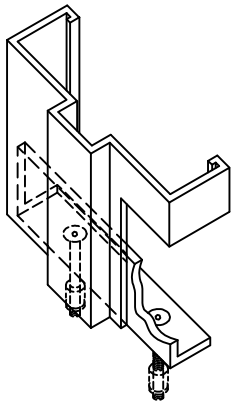


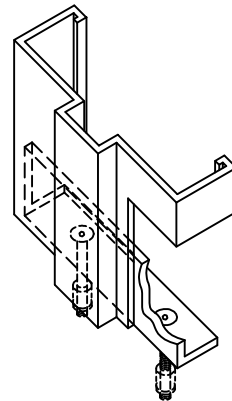
OPTION GWA-CIP
CONCRETE FILLED



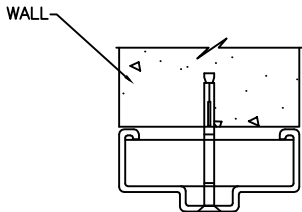
OPTION GWA-CMU
GROUT FILLED



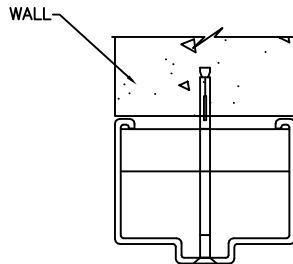
FIBERGLASS FLOOR ANCHOR



FIBERGLASS FLOOR ANCHOR



2" HEAD ANCHOR
WHERE REQUIRED



4" HEAD ANCHOR
WHERE REQUIRED



FIBERGLASS DOOR FRAME
GROUTED WALL ANCHORING DETAILS

DATE 9/08/05	SCALE NONE	
DWG NAME GROUTANCHORING		DRAWN BY BG