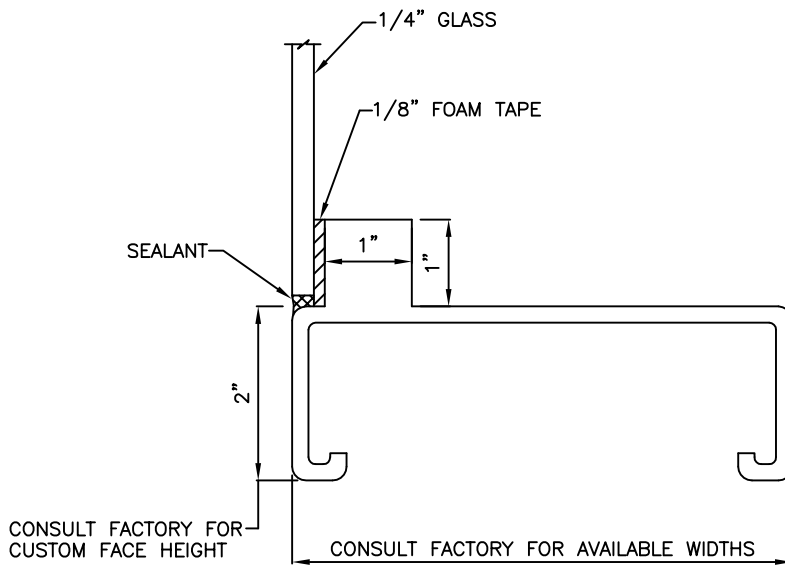


DOUBLE GLAZED
PHARMACEUTICAL FIXED SASH



SINGLE GLAZED
PHARMACEUTICAL FIXED SASH



FIBERGLASS FIXED SASH/PHARMACEUTICAL		
DATE 9/17/04	SCALE NONE	
DWG NAME PHARMSASH	DRAWN BY BG	