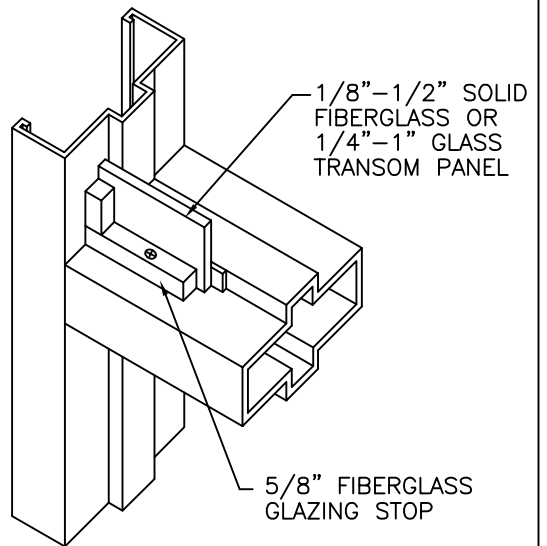
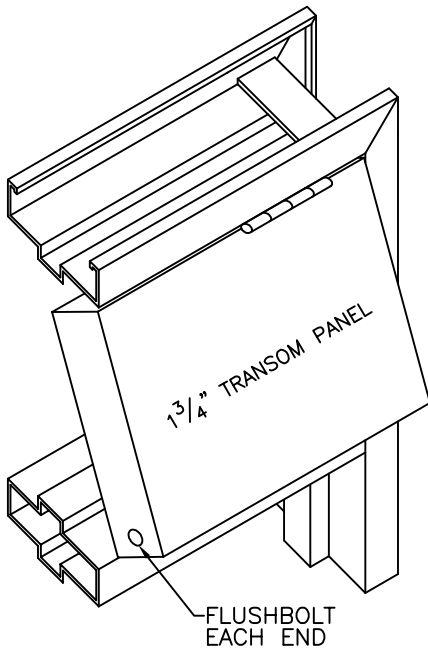


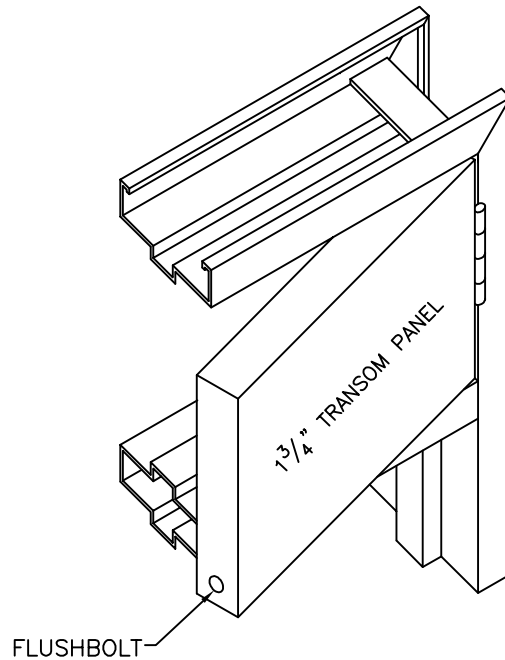
OPTION TA5  
INTERIOR VIEW LOOKING UP



OPTION TA6  
INTERIOR VIEW LOOKING DOWN



OPTION TA7  
INTERIOR/EXTERIOR  
VIEW LOOKING DOWN



OPTION TA8  
INTERIOR/EXTERIOR  
VIEW LOOKING DOWN



FIBERGLASS TRANSOM TYPES AND ATTACHMENT METHODS		
DATE	SCALE	
9/17/04	NONE	
DWG NAME	DRAWN BY	
TRANSOMATTACH2	BG	