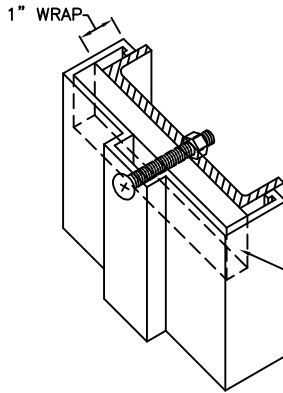
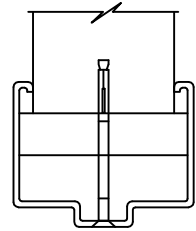


OPTION W-BM
WRAP MASONRY

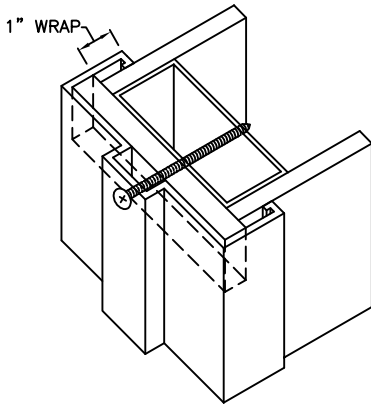


ANCHOR
COMPRESSION
BLOCK (TYP.)

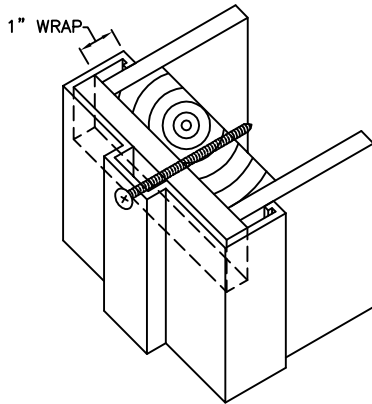
OPTION W-BS
WRAP STEEL



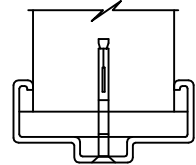
4" HEAD ANCHOR
WHERE REQUIRED



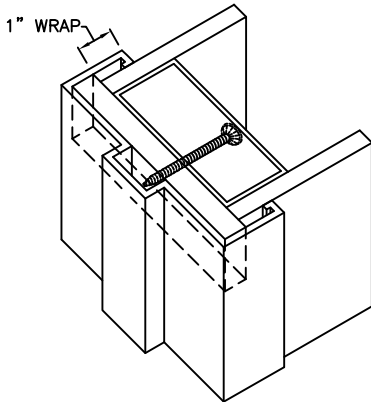
OPTION W-MS1
WRAP METAL STUD



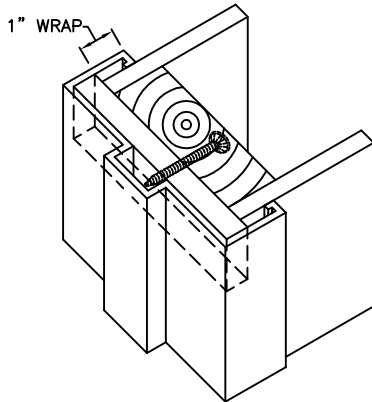
OPTION W-WS1
WRAP WOOD STUD



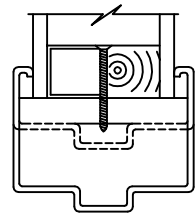
2" HEAD ANCHOR
WHERE REQUIRED



OPTION W-MS2
WRAP METAL STUD



OPTION W-WS2
WRAP WOOD STUD



2" OR 4" HEAD ANCHOR
WHERE REQUIRED

NOTES: ADDITIONAL WALL THICKNESS UP TO 8³/₄"
CAN BE ACCOMMODATED.
CONSULT FACTORY FOR DETAILS.

ROUGH OPENING WILL BE AS FOLLOWS:
OVERALL FRAME WIDTH MINUS 2"
OVERALL FRAME HEIGHT MINUS 1"

ALL ANCHOR HOLES IN DOOR STOP ARE FACTORY
PRE-DRILLED AND COUNTERSUNK.



FIBERGLASS DOOR FRAME
WRAPPED WALL ANCHORING DETAILS

DATE 9/08/05	SCALE NONE	
DWG NAME WRAPANCHORING	DRAWN BY BG	