

**STANDARD SIZES:**

- 8 x 30 (6-1/2 x 28-1/2 VISIBLE)
- 12 x 12 (10-1/2 x 10-1/2 VISIBLE)
- 24 x 24 (22-1/2 x 22-1/2 VISIBLE)
- 24 x 30 (22-1/2 x 28-1/2 VISIBLE)

**GLAZING TYPE AND THICKNESS:**

- 1/4" TEMPERED
- 1/4" WIRE
- 1/4" LEXAN
- CUTOUT ONLY (NO KIT)
- OTHER \_\_\_\_\_

**CUSTOM SIZES:**

VISIBLE WIDTH \_\_\_\_\_

VISIBLE HEIGHT \_\_\_\_\_

TOP TO VISIBLE \_\_\_\_\_

EDGE TO VISIBLE \_\_\_\_\_

CENTER HORIZONTALLY

**GLAZING:**

- BY TIGER DOOR     BY OTHERS

- ACTIVE LEAF
- INACTIVE LEAF

**DOOR WINDOW**

**COLOR:**

- POLAR WHITE     MIST GRAY
- CASHEW TAN
- OTHER \_\_\_\_\_

- FRP ASTRAGAL
- FLAT (NON FIRE RATED)     ANGLE (FIRE RATED)

- 4-1/2" MORTISE HINGES
- 3     4     5

- 5" MORTISE HINGES
- 3     4     5

- CONTINUOUS HINGE
- CYLINDRICAL 161 LOCK
- CYLINDRICAL DEADBOLT
- MORTISE DEADLOCK

- MORTISE 86 LOCK
- MORTISE EXIT DEVICE

- RIM EXIT DEVICE
- SVR EXIT DEVICE
- CVR EXIT DEVICE

- MANUAL FLUSH BOLTS
- WOOD     METAL 12"
- METAL 24"

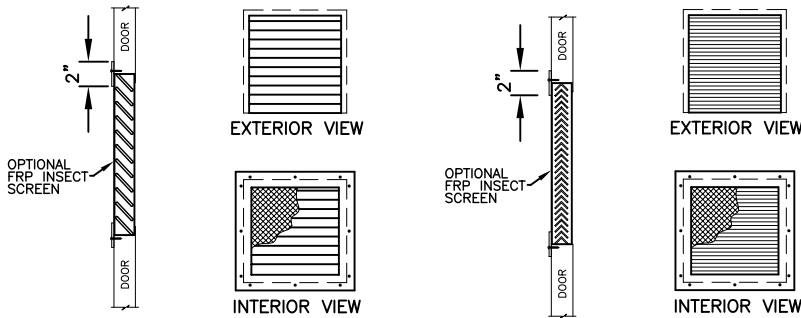
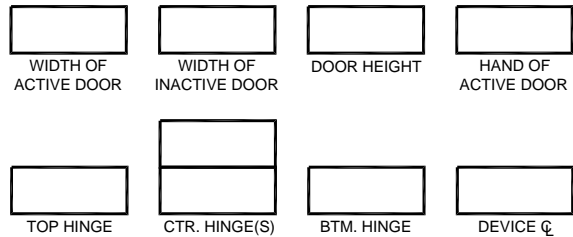
- AUTOMATIC FLUSH BOLTS
- WOOD     METAL 12"
- METAL 24"

- CLOSER
- PUSH/PULL PLATES
- FLUSH PULL

- SURFACE OH HOLDER/STOP
- CONCEALED OH HOLDER/STOP

- SURFACE DOOR BOTTOM
- CONCEALED DOOR BOTTOM

OTHER: \_\_\_\_\_



- FLAT BLADE     FRP SCREEN     V BLADE

SIZE: \_\_\_\_\_ TIGER DOOR STANDARD SIZES ARE 18x18, 24x18, 24x24.    **LOUVERS**    TIGER DOOR STANDARD SIZES ARE 18x18, 24x18, 24x24.

- MEDIUM DUTY
- HEAVY DUTY
- EXTREME DUTY

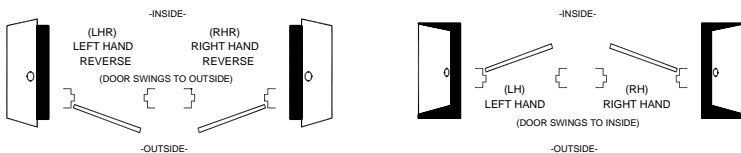
- FIRE RATED
- 20 MIN.    30 MIN.    45 MIN.    60 MIN.    90 MIN.

- WIND LOAD RATED
- WIND SPEED \_\_\_\_\_

- BLAST LOAD RATED
- DESIGN PRESSURE \_\_\_\_\_

**PERFORMANCE RATING**

**HARDWARE REQUIRED**



ALWAYS VIEW DOOR FROM EXTERIOR OR EXIT SIDE WHEN DETERMINING HANDING. FOR DOUBLE DOORS, GIVE HAND OF ACTIVE LEAF. (RHR ACT OR RHRA)

**HANDING**



TIGER DOOR LLC  
1802 IZARD ST.  
OMAHA, NE. 68012  
PH. 888-891-4416  
PH. 402-346-4344  
FAX 402-346-0561

**CUSTOMER NOTES:** \_\_\_\_\_

\_\_\_\_\_

\_\_\_\_\_

\_\_\_\_\_

**DOUBLE DOORS ONLY DATA SHEET**

CUSTOMER: \_\_\_\_\_

PROJECT: \_\_\_\_\_

DOOR MARK: \_\_\_\_\_