

1802 Iazard Street
Omaha, Nebraska
68102-4400 USA

Toll Free Sales (888) 891-4416
Phone (402) 346-4344
Fax (402) 346-0561

www.tigerdoor.com

Tiger Door, LLC

INSTALLATION INSTRUCTIONS FOR FIRE RATED FRP FIXED SASH

-GROUTED IN WITH NEW MASONRY-

ASSEMBLE FIXED SASH using stainless steel screws and FRP angle clips provided. Match up fixed sash "Mk." numbers. Prior to installation, check all parts for size and correctness before proceeding.

SET FIXED SASH in place. Use a level on each side and across the top to set square and plumb. Use shims under bottom to level if necessary. Finally, make sure that jambs are not twisted and that proper opening dimension is maintained on *both* inside and outside frame faces. Install glazing stop fasteners prior to grouting.

SECURELY BRACE to plumb and square setup and maintain inside opening size during placement of block. Use a horizontal 2x6 spreader(s) to maintain proper opening width. *Butt 2x6's against smaller blocks with soft foam sheet behind (from packaging material) to prevent damage to factory finish.* For a wider fixed sash, use a vertical spreader(s) to prevent header sag. Use inclined 2x4 braces from the upper corners of the fixed sash to slab or grade to hold the frame square and upright. *Recheck for correct setup prior to erection of block masonry.*

PLACE BLOCK MASONRY. Fill frame cavities with grout/mortar as courses rise. Use grouted wire anchors at every third course of block (each 24" of height). Wider fixed sashes may also require a center bolted anchor in the header, which is installed after placing the lintel. Periodically check fixed sash for proper inside opening size as masonry continues.

IT IS THE INSTALLER'S RESPONSIBILITY TO INSURE THE PREVENTION OF BOWING, TWISTING OR WARPING DUE TO MORTAR OR BLOCK PRESSURE OR OTHER FACTORS DURING WALL ERECTION. The techniques outlined above are general procedures that may not be appropriate for every opening. Some circumstances may require special methods.

-BOLTED INTO EXISTING OPENING-

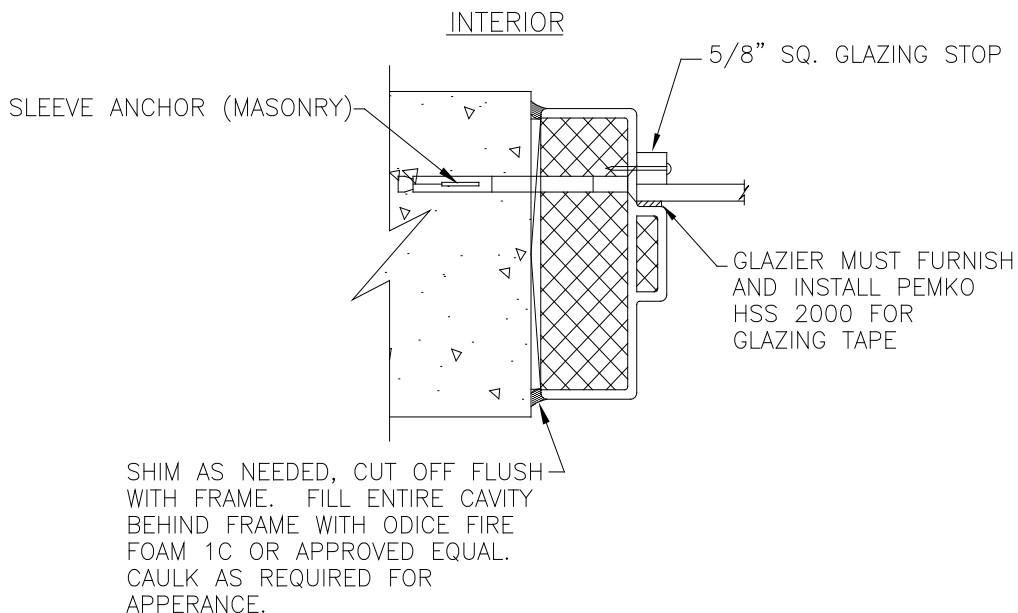
ASSEMBLE FIXED SASH, per instructions at top of page 1.

CHECK FIXED SASH BEFORE INSTALLATION— Prior to installation, and removal of any existing unit, check all parts for size and correctness before proceeding! Check for correct width and height inside frame and that corner connections are not twisted. NOTIFY YOUR DISTRIBUTOR, SALES REP OR THE FACTORY IMMEDIATELY OF ANY DISCREPANCIES.

SET FIXED SASH in the opening, using shims as necessary to level. *It is critical at this point to make sure that fixed sash is set plumb and level.* Drill anchor holes in wall. *Recheck for plumb and level.*

FILL ENTIRE CAVITY BEHIND FRAME WITH ODICE FIRE FOAM 1C OR APPROVED EQUAL.

CAULK AROUND THE PERIMETER and clean up any excess.



07/25/06

