

Quick Ship Acoustical Metal Door Order Sheet

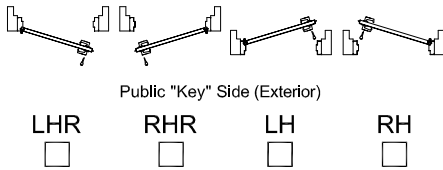


574 West Otterman Street ■ Greensburg, PA 15601
Phone: 800-979-7300 ■ Fax: 724-830-2871

Customer: _____ Approved By: _____
Job Name: _____ Date: _____
Location: _____ Overly SO#: _____
Customer PO: _____ Overly JO#: _____
Mark #'s: _____

Swing Chart

Secure Side (Interior)



Receipt of Purchase Order to Shipment: 10 Day 15 Day 35 Day

Available Hardware Preps:

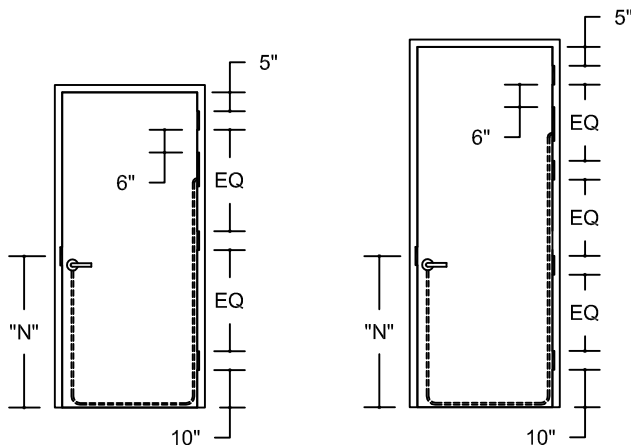
- Government 161 Cylindrical Lock (3-3/4" Backset)
- ANSI 86 Mortise Lock*
- ANSI 86 Mortise Panic*
- Rim Panic*
- LKM 7000*
- CDX-09 Auxillary Lock*

"N"

- 40-5/16" CL Strike
- 40-5/16" CL Strike
- 40-5/16" CL Strike (Per Template)
- 40-5/16" CL Strike (Per Template)
- 48" CL Spin Dial

*Note: All Function Holes Drilled In Field By Installer

Available Jamb Opening Sizes:



- 36" X 84"
- 48" X 84"

- 36" X 96"
- 48" X 96"

Rough Opening Calculation

Width = JOW + 3"

Height = JOH + 1-1/2"

Optional Positive Pressure Fire Ratings:

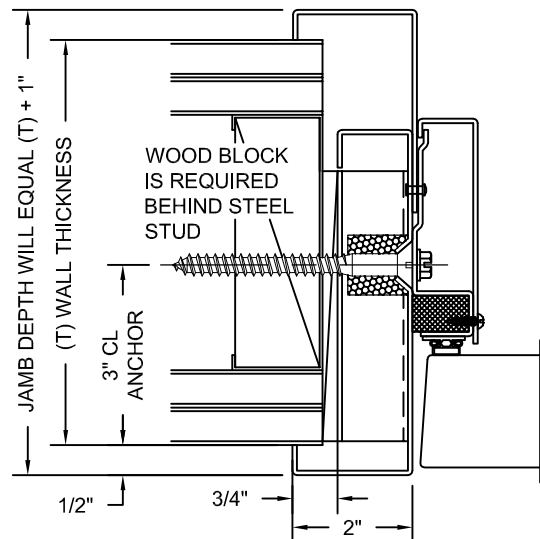
- Not Labeled
- 45 Minutes
- 1-1/2 Hours
- 20 Minutes**

**Note: 20 Minute Maximum When CDX-09 Auxiliary Lock Is Used Unless Approved By Local Jurisdiction Having Authority

Standard Features:

- STC 50 Flush Door (No Vision Light)
- Overly Model STC509589
- Carbon Steel With Overly Standard Prime Finish
- MCL-500 Cam-Lift Hinges, As Cast
- Single Magnetic Frame Gaskets
- Super "H" Compression Door Bottom
- Reese S105A 1/2" High Threshold
- 2-Piece Clamp-On Split Frame
- Von Duprin EPT Prep With Filler Plate When Not Required
- Conduit From EPT To Lock Mounting Box
- Bolt-In Frame Anchorage For Masonry or Drywall
- Surface Mounted Closer Reinforcement & Mounting Brackets
- 4-7/8" ASA Strike Preparation For Cylindrical, Mortise, or Mortise Panic Locks

Frame Information:



Steel/Wood Stud Shown; Masonry Available Also

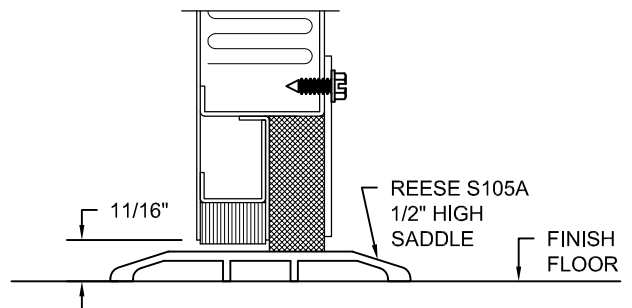
Available Frame Anchors

- 3/8"Ø Masonry Expansion Anchors
- #24 Wood Stud Screw Anchors

Wall Thickness

(T): _____
Note Minimum (T): 4-7/8"
Note Maximum (T): 11"

Sill Information:



Ship To Address:

